

JVC

SCHEMATIC DIAGRAMS

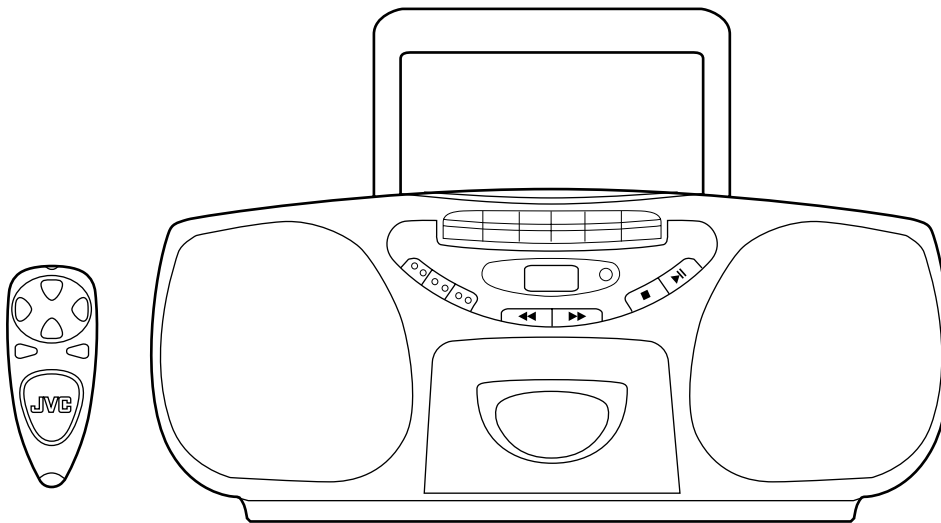
CD PORTABLE SYSTEM

RC-BX30

CD-ROM No.SML200212

Area suffix

UJ ----- U.S.Military



Contents

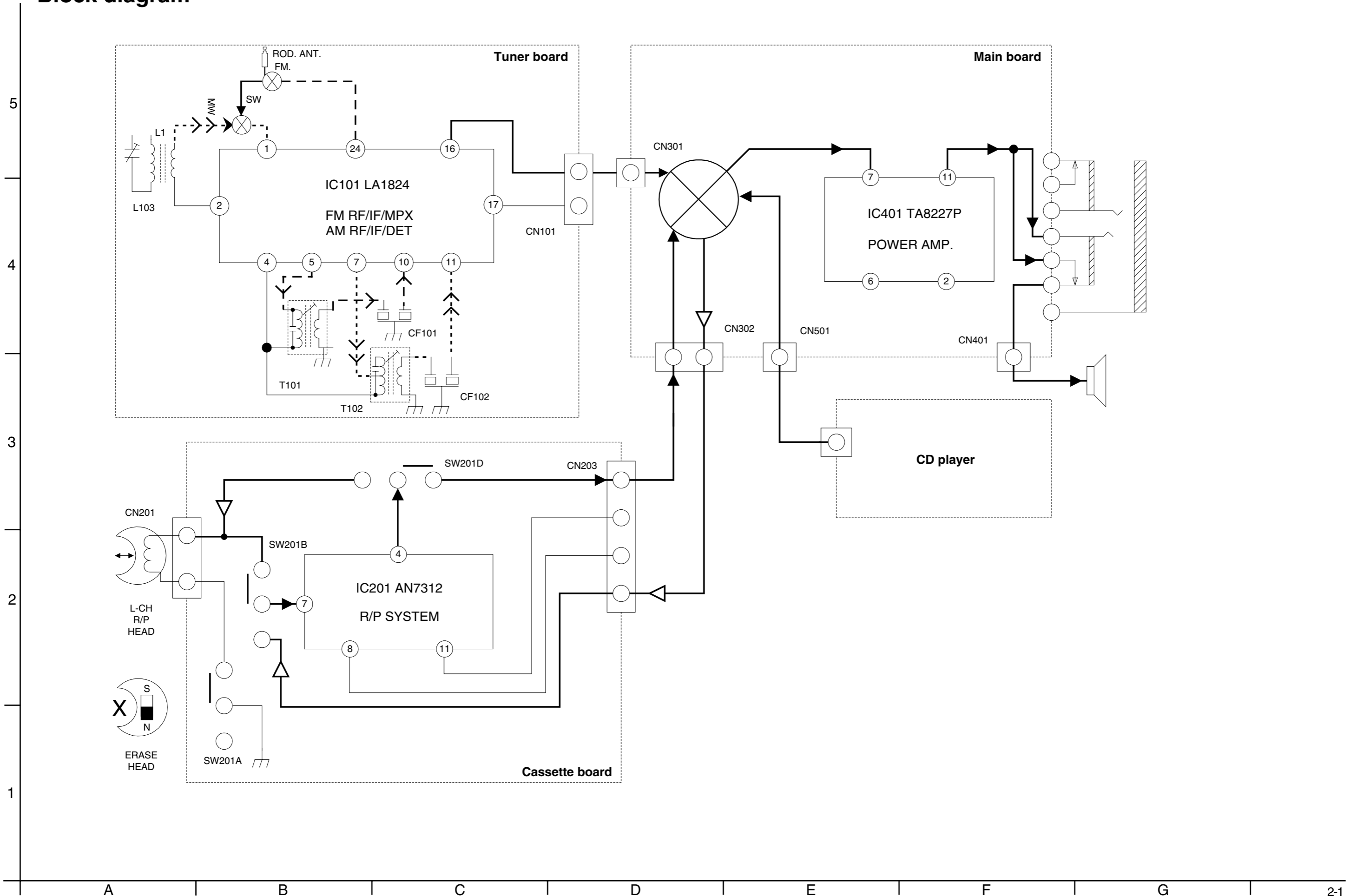
Block diagram	2-1
Standard schematic diagrams	2-2
Printed circuit boards	2-8~11

RC-BX30

In regard with component parts appearing on the silk-screen printed side (parts side) of the PWB diagrams, the parts that are printed over with black such as the resistor (■), diode (⬤) and ICP (●) or identified by the "▲" mark nearby are critical for safety.

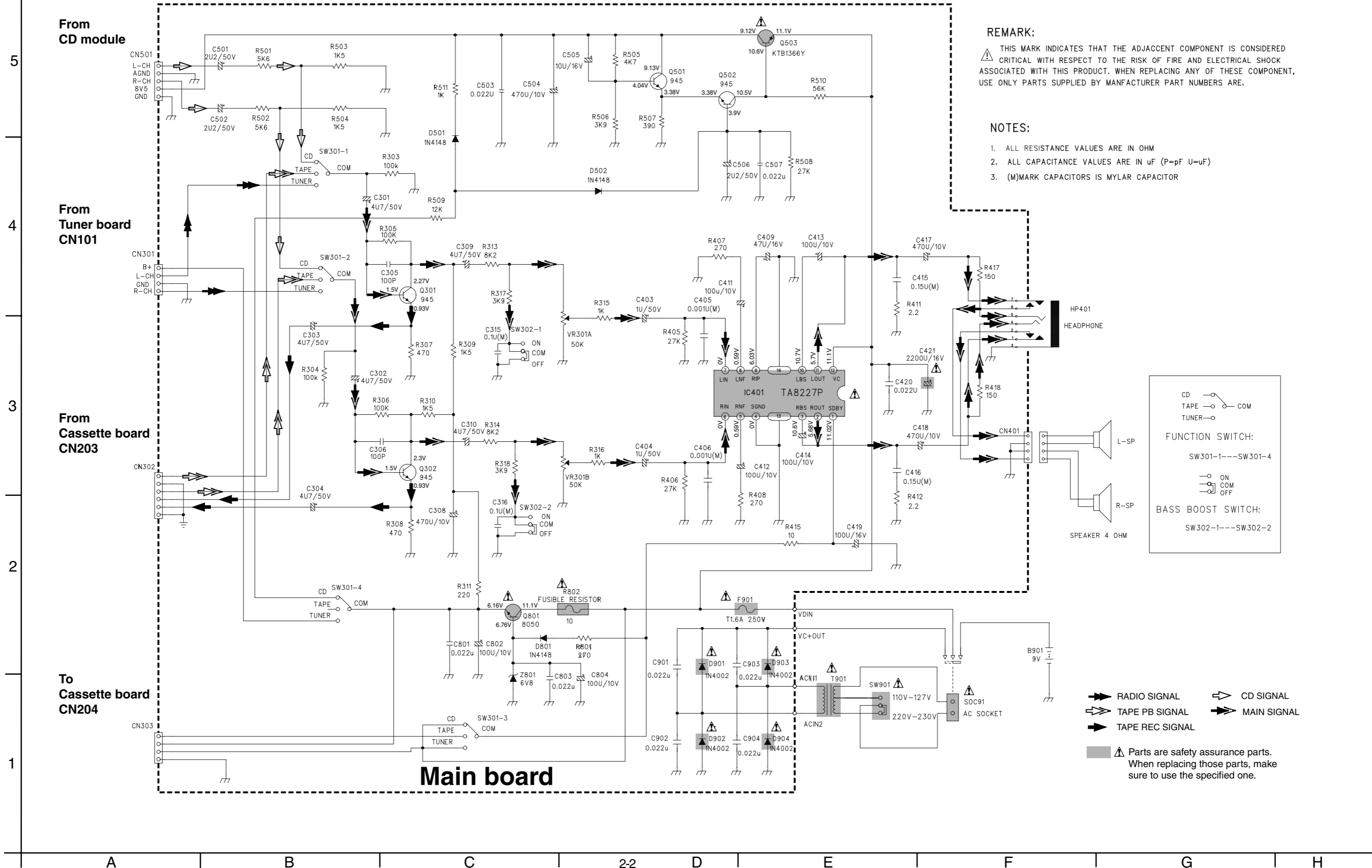
(This regulation does not correspond to J and C version.)

Block diagram

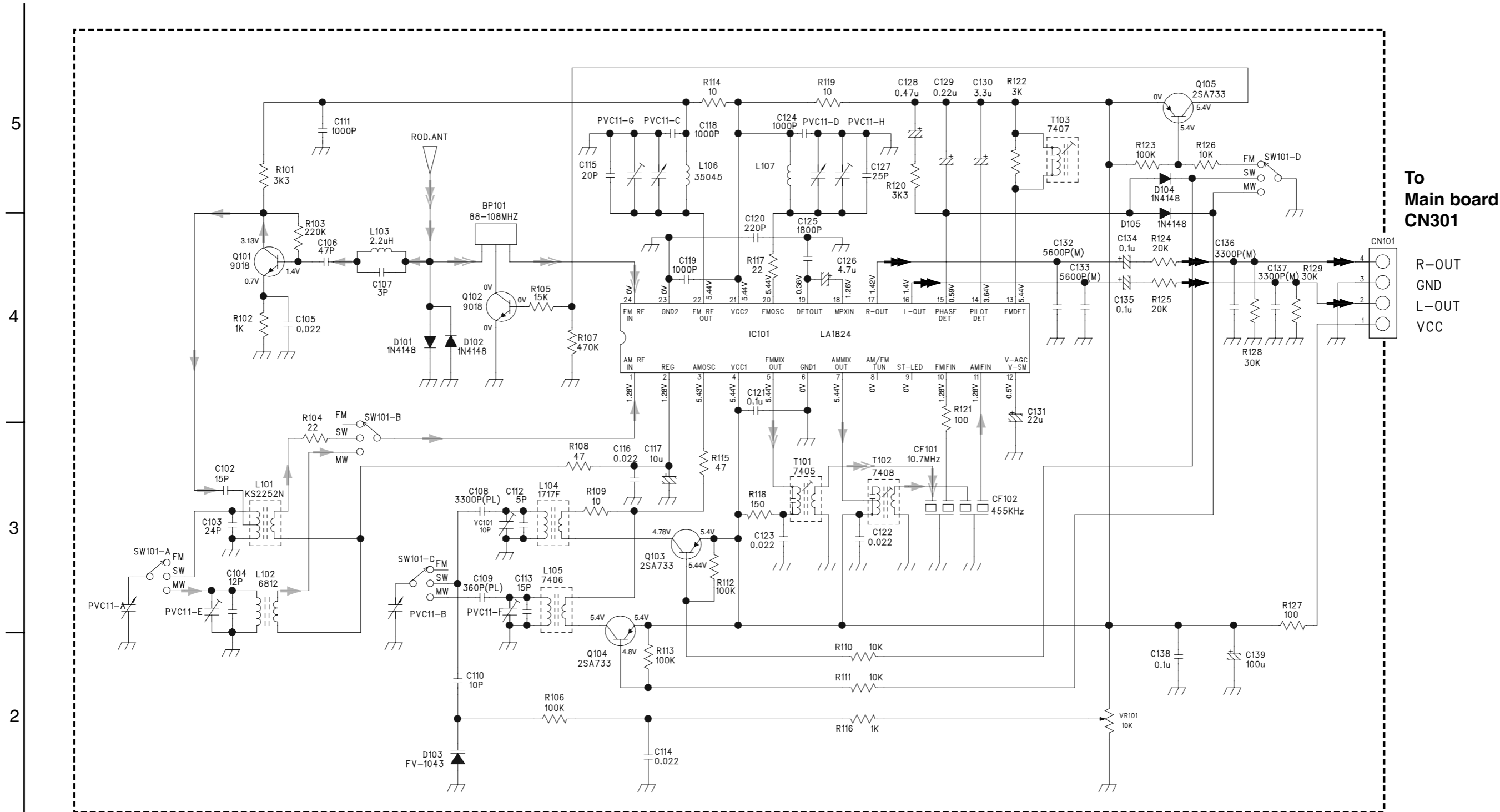


Standard schematic diagrams

Main section

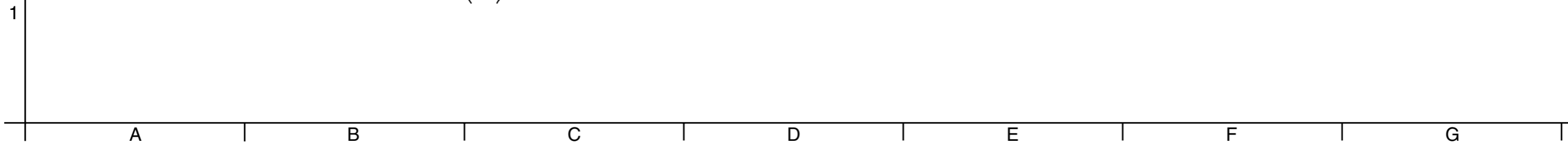


■ Tuner section

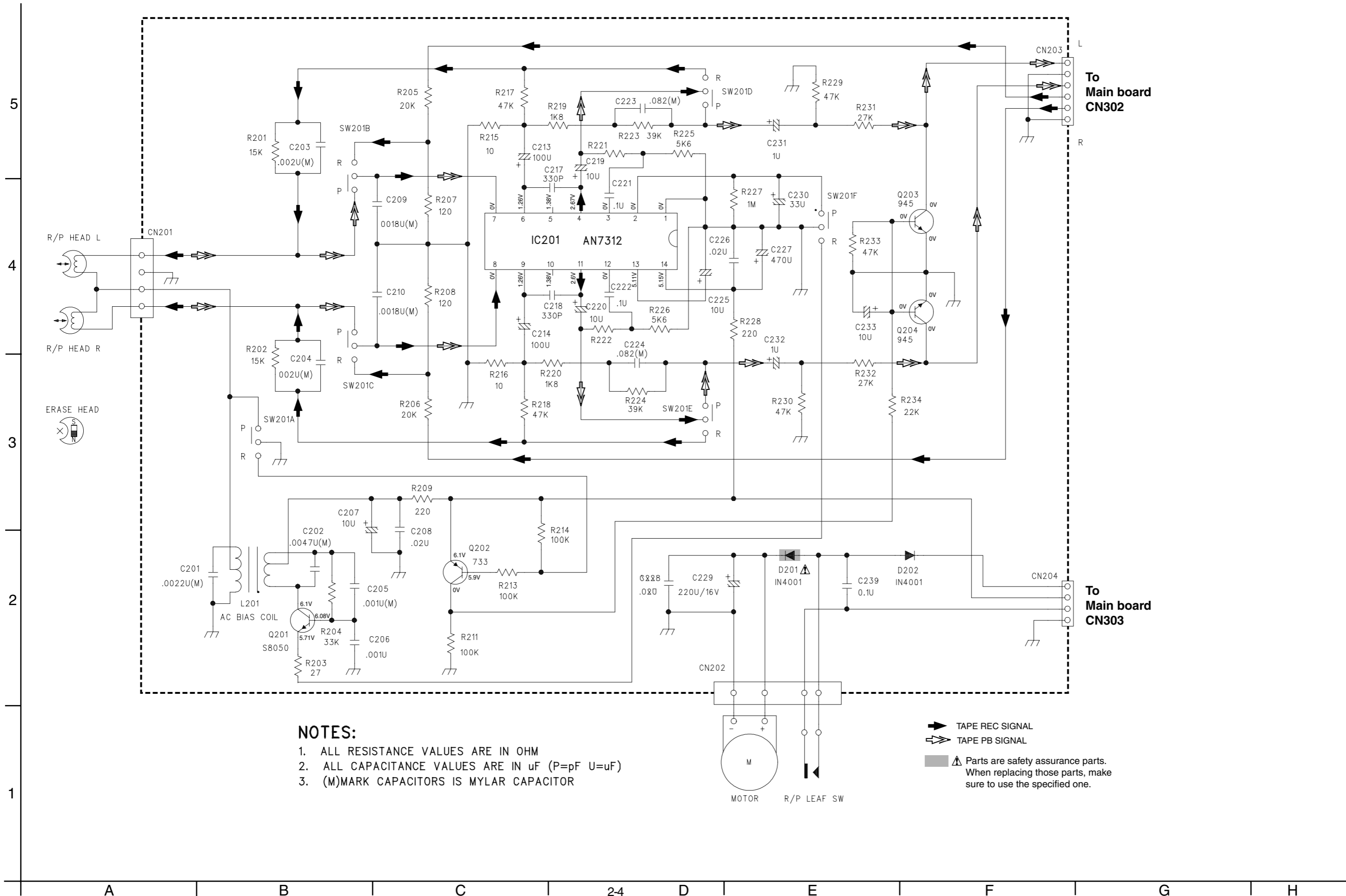


NOTES

1. ALL RESISTANCE VALUES ARE IN OHM
2. ALL CAPACITANCE VALUES ARE IN uF (P=pF u=uF)
3. (M)MARK CAPACITORS IS MYLAR CAPACITOR
(PL)MARK CAPACITORS IS POLY CAPACITOR



■ Cassette section

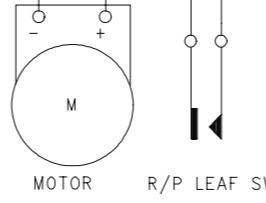


NOTES:

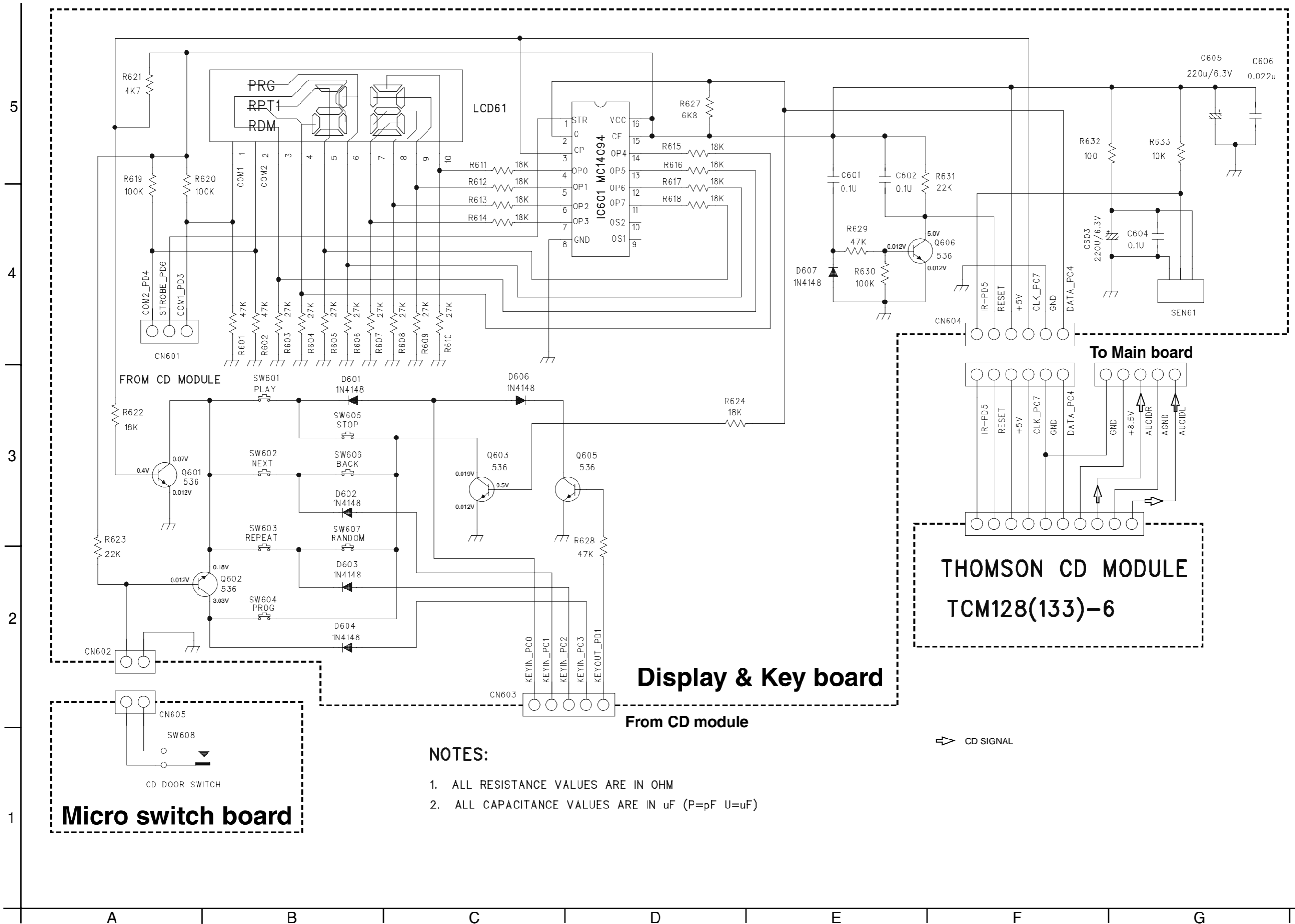
1. ALL RESISTANCE VALUES ARE IN OHM
2. ALL CAPACITANCE VALUES ARE IN uF (P=pF U=uF)
3. (M)MARK CAPACITORS IS MYLAR CAPACITOR

➔ TAPE REC SIGNAL
 ⇨ TAPE PB SIGNAL

⚠ Parts are safety assurance parts.
 When replacing those parts, make sure to use the specified one.



■ Display & Key section



Display & Key board

**THOMSON CD MODULE
TCM128(133)-6**

- NOTES:**
1. ALL RESISTANCE VALUES ARE IN OHM
 2. ALL CAPACITANCE VALUES ARE IN uF (P=pF U=uF)

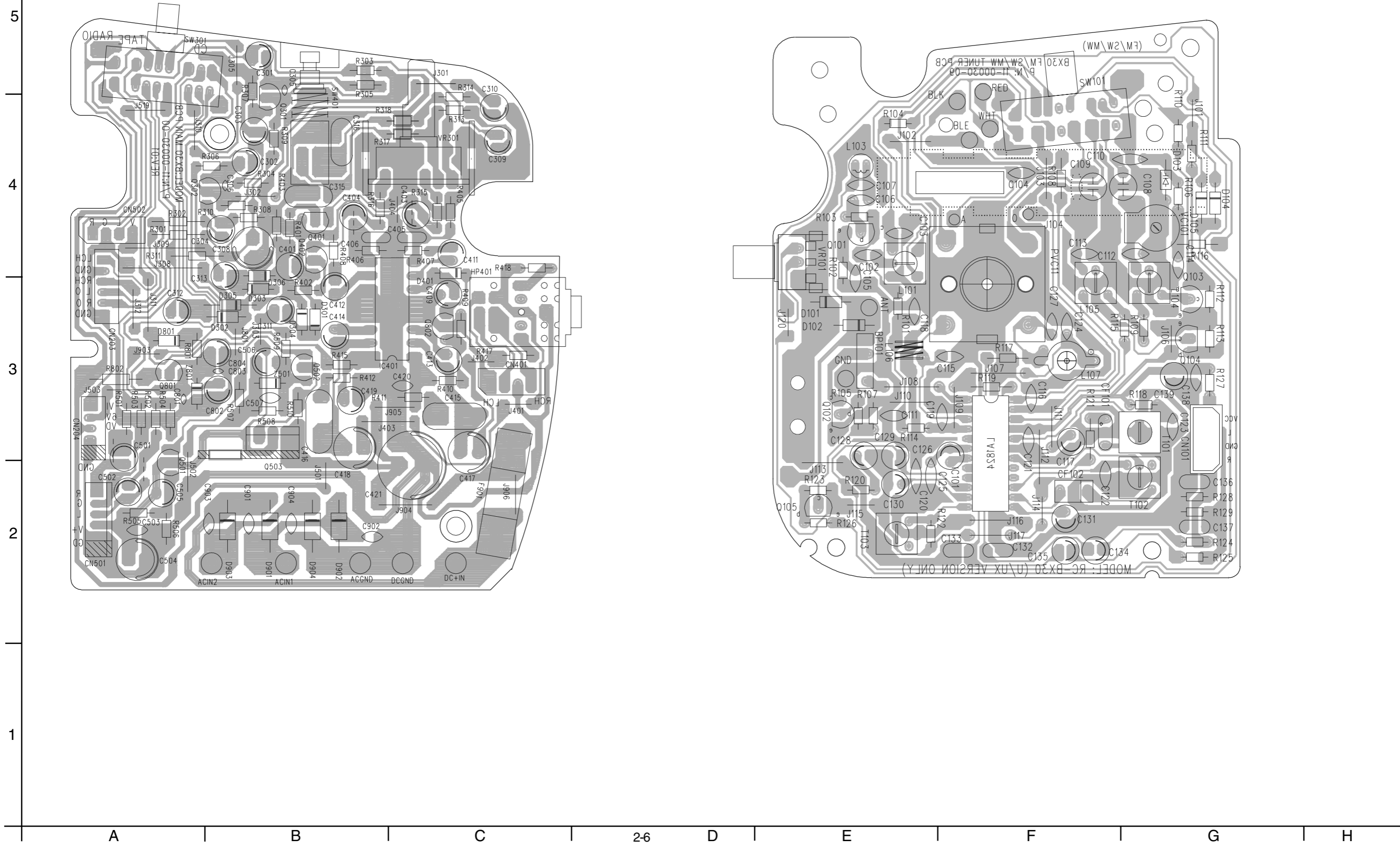
➤ CD SIGNAL

Micro switch board

Printed circuit boards

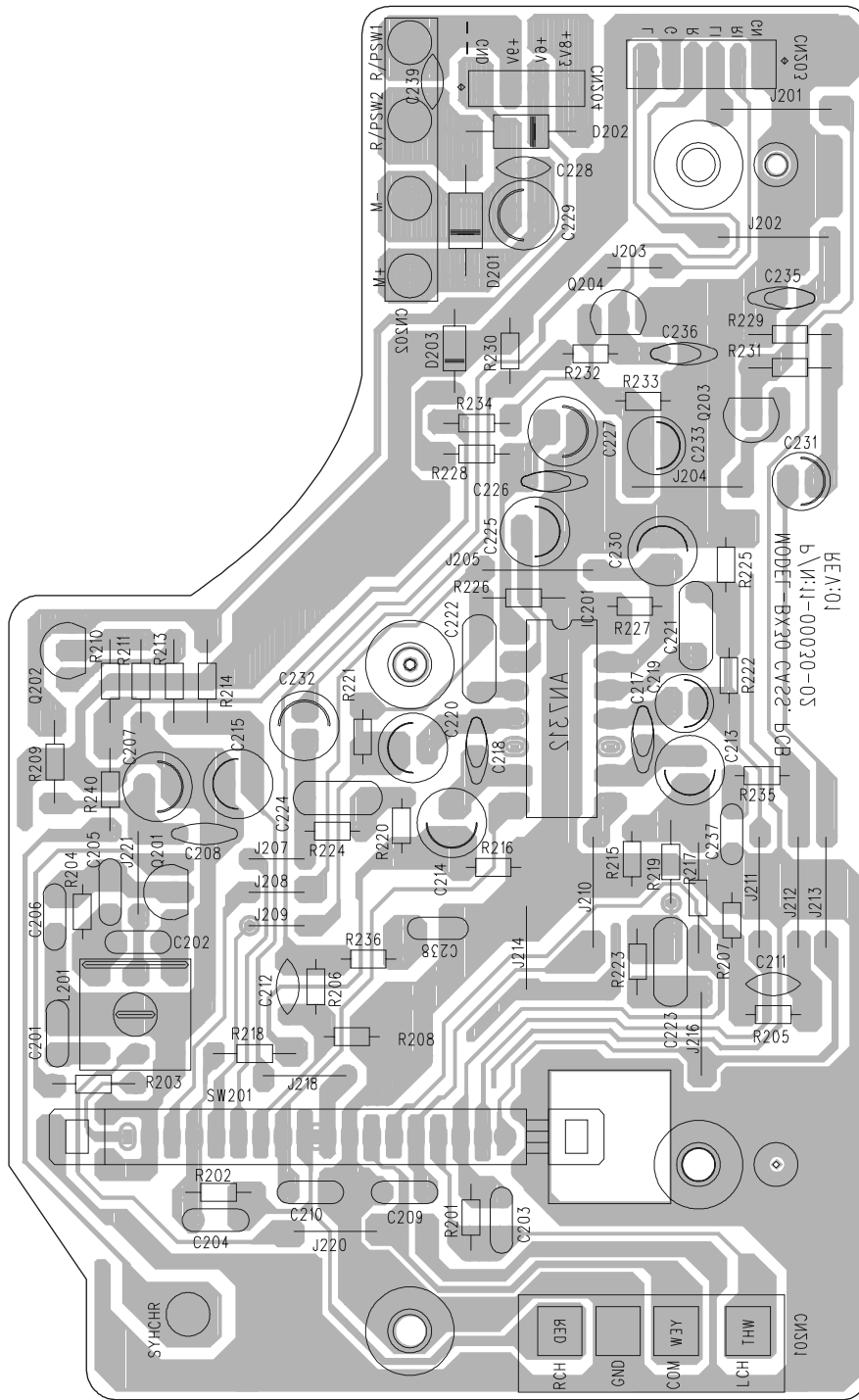
■ Main board

■ Tuner board



■ Cassette board

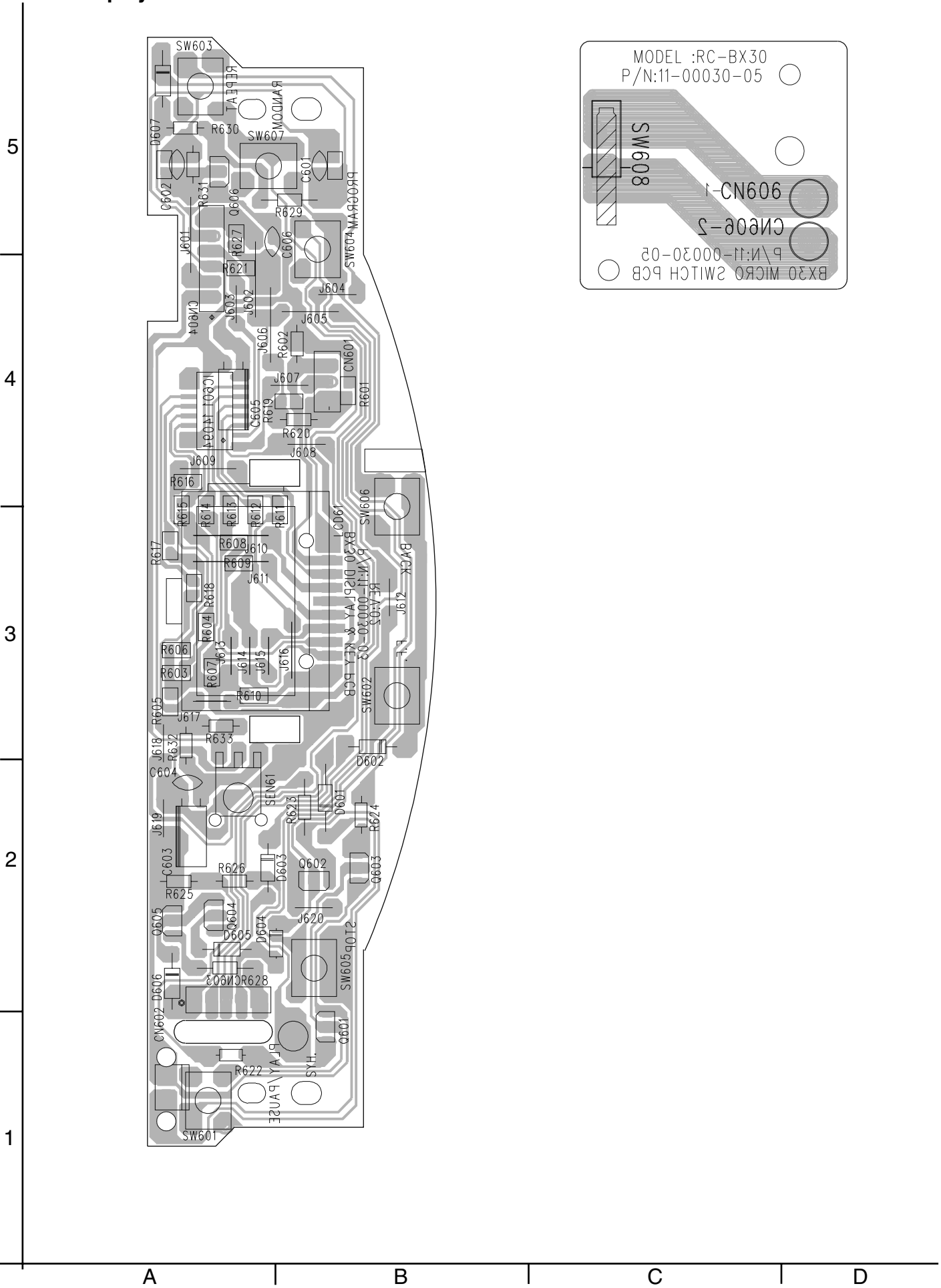
5
4
3
2
1



A B C

■ Display board

■ Micro switch board



< MEMO >



VICTOR COMPANY OF JAPAN, LIMITED

AUDIO & COMMUNICATION BUSINESS DIVISION

PERSONAL & MOBILE NETWORK BUSINESS UNIT. 10-1,1Chome,Ohwatari-machi,maebashi-city,371-8543,Japan